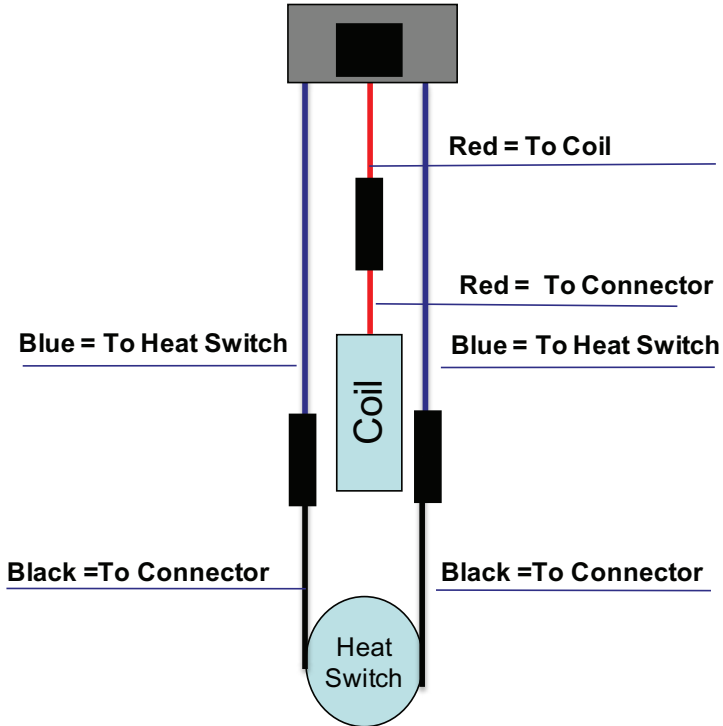


INSTRUCTION SHEET

HEAT SWITCH CONNECTOR - 3 WIRE TO 1 WIRE

3 Wire Connector



Single Lead

