



4 SEASONS
Your Automotive PARTner

DID YOU KNOW?

DYK TECH TIP # 100

Part No. 75777

VIO = 1,517,775

OE = 15-80908 / 15863480

Competitor Cross

Continental VDO = PM9293

TYC = 700184

Applications

PONTIAC G6 (10-05)

CHEVY MALIBU (12-08)

SATURN AURA (09-07)

When replacing the blower motor for the first time you must buy an additional kit from the GM Dealer (15-80886 / 15844347). TYC / VDO also require a kit. The Four Seasons model is a drop-in-replacement.

Did you know it takes all of this just to replace this motor using our competitors part?



Part No. 75778

VIO = 1,847,284

OE = 15-81101 / 25776197

Competitor Cross

Continental VDO = PM9290 /

PM9292TYC = 700183

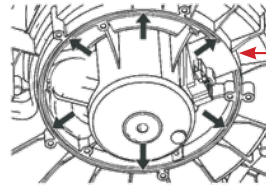
Applications

CHEVROLET COBALT (10-05)

CHEVROLET HHR (11-06)

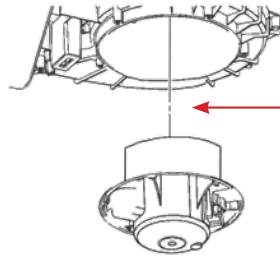
PONTIAC G5 (09-07)

SATURN ION (07-03)



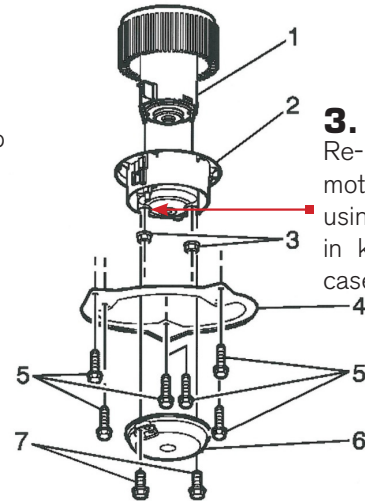
1.

First time replacement you must cut through the groove in the case using a utility knife.



2.

Motor will drop of housing.



3.

Re-use cap. Insert new motor, add adaptor ring using screws supplied in kit, insert back into case.

Four Seasons offers a hassle free, drop-in-replacement; no fuss, no kit and no assembly needed!

